

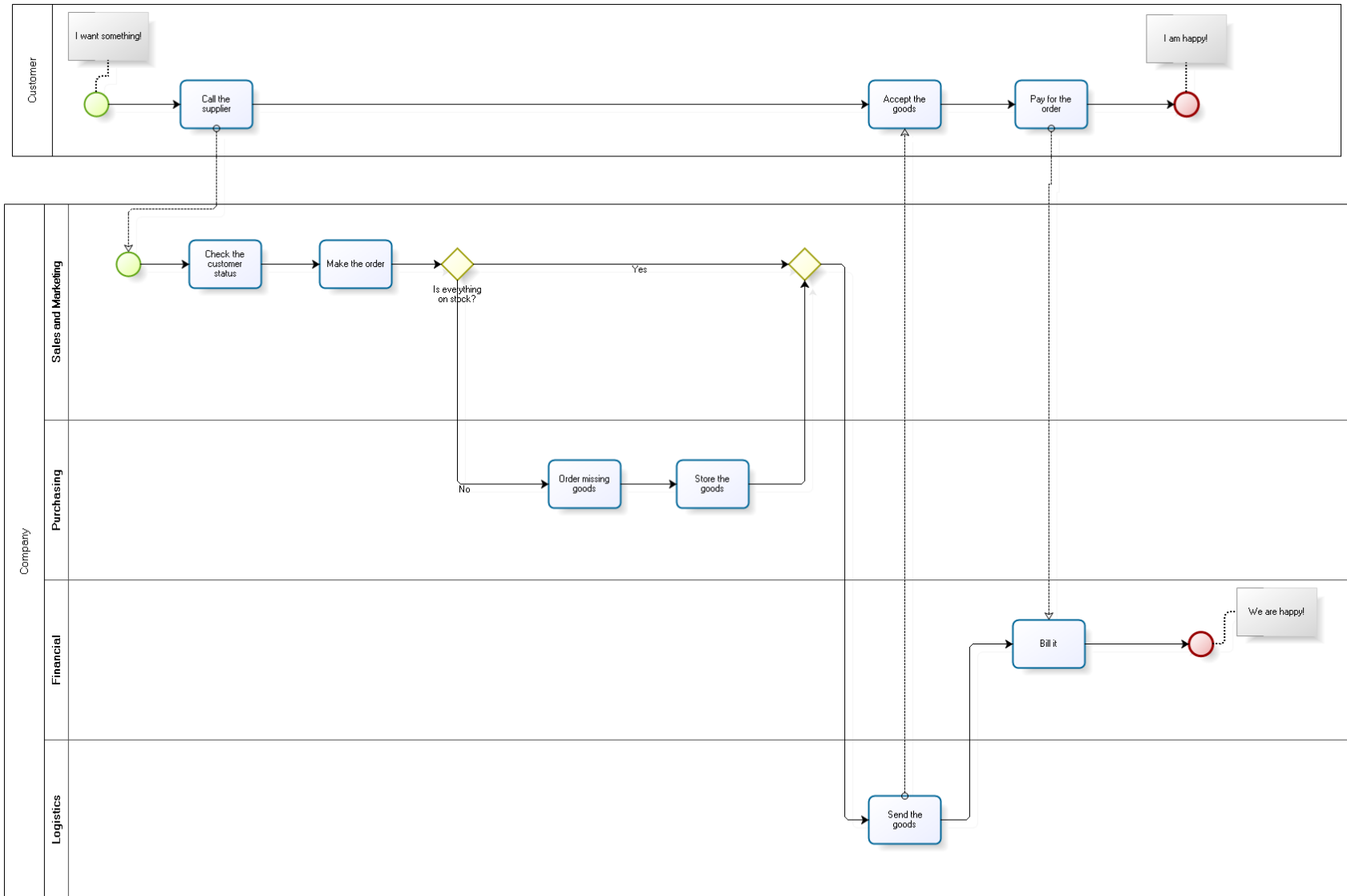
Demonstration of processes in ERP

Michal Krčál

Once upon a time...

- ...there was a company which was selling “staff”.
- And some customer which wanted to buy “staff”.

Process of order fulfillment



Scenario 1

- You have received call from John Emory.
- He wants to order 5 glass door for his company.
- You have it on Your stock so You can ship it to him.
- Now You can bill it and send him also the invoice. Check the invoice before sending!
- Tina Gorenc

Scenario 2

- You have received call from Tina Gorenc.
- She wants to order 10 Computer III 600 MHz for her company.
- Check the availability.
- You have to order it.
- After that You can send it and bill it.

That's it.

Have a nice evening.