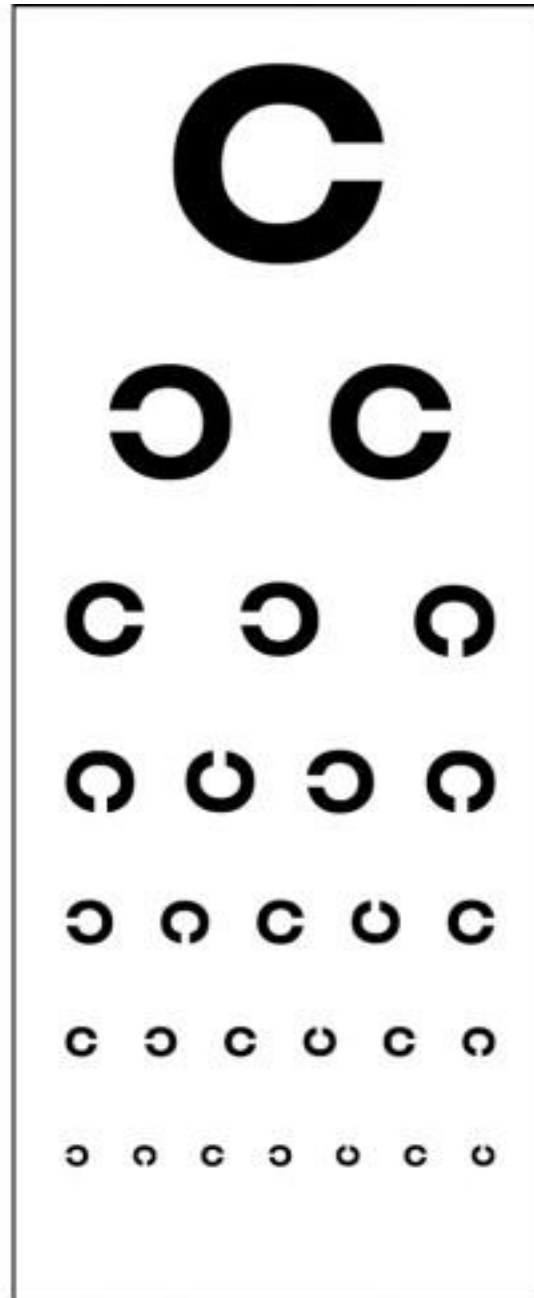


Estimation of visual acuity

Snellen's optotype

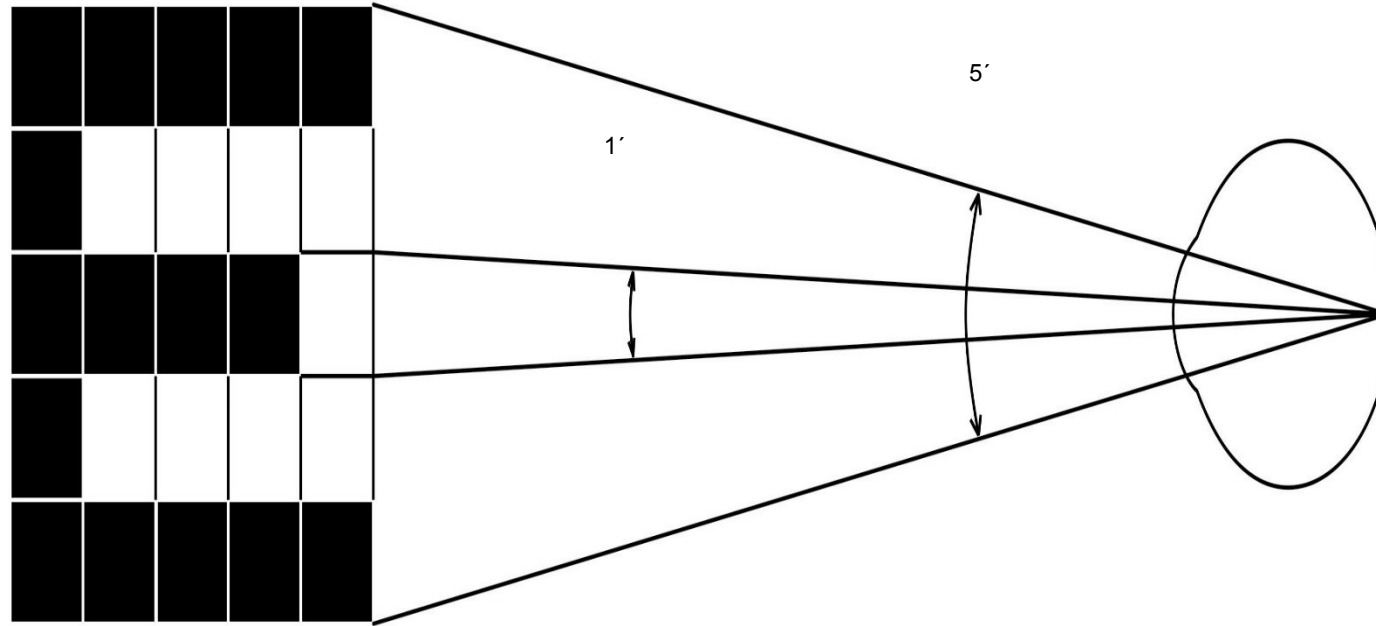


Landolt's circles



Pflüger's hooks





Physiological base: 1 minute - is the limit of two-point discrimination in a normal eye

Visus is the ratio of the distance from which the tested person could read letters of a given size, i.e. here 5 m, to the distance from which a normal eye can read them which is the number found at the corresponding line of the table.

The fraction is not evaluated, i.e. one writes:

$V = 5/5$ (normal eye)

$V = 5/10$ (reduced acuity)