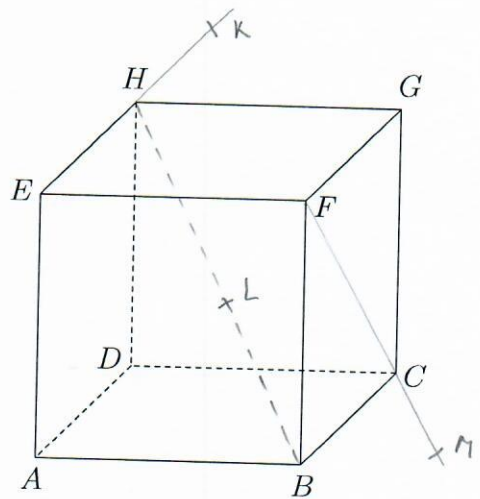
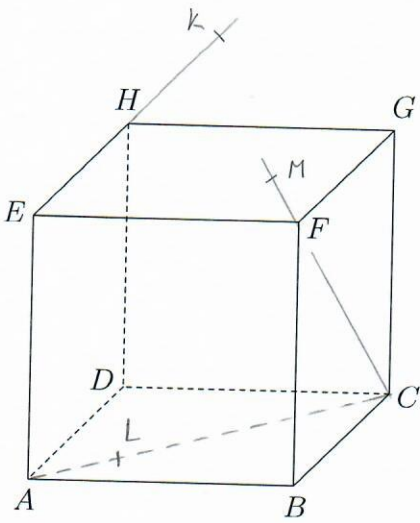
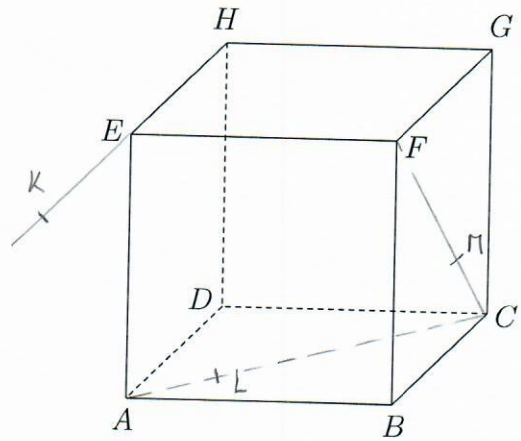
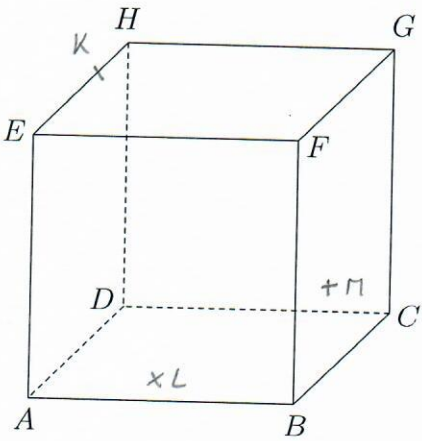
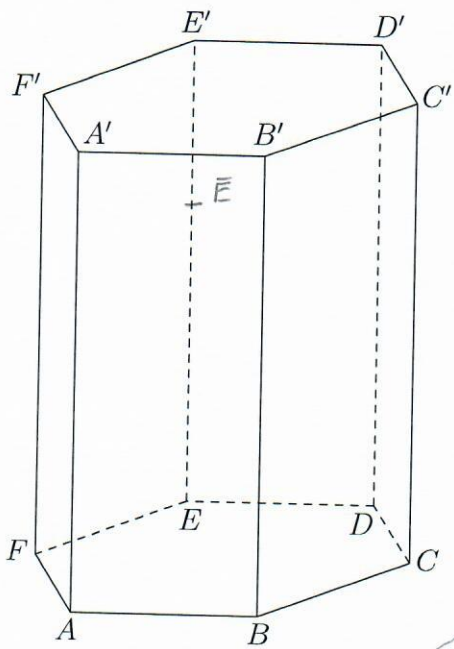
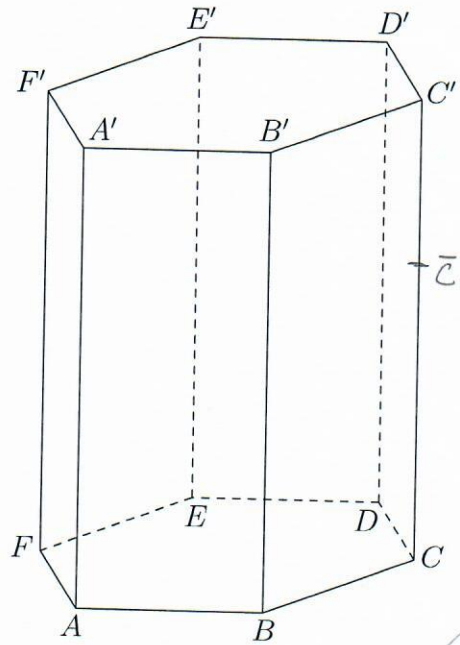


$L \in ABC$
 $m \in BCG$

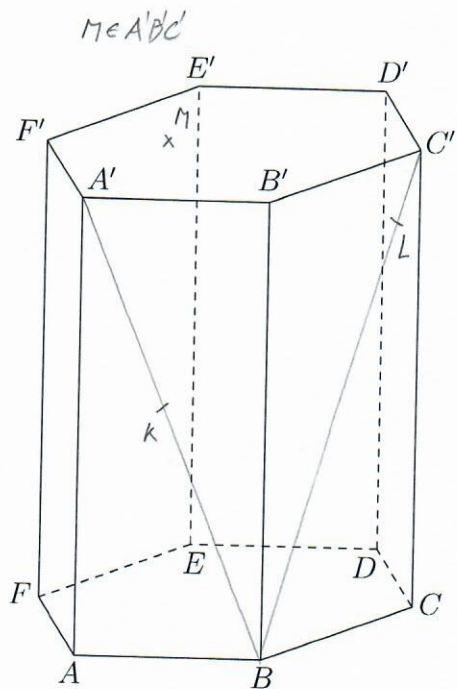
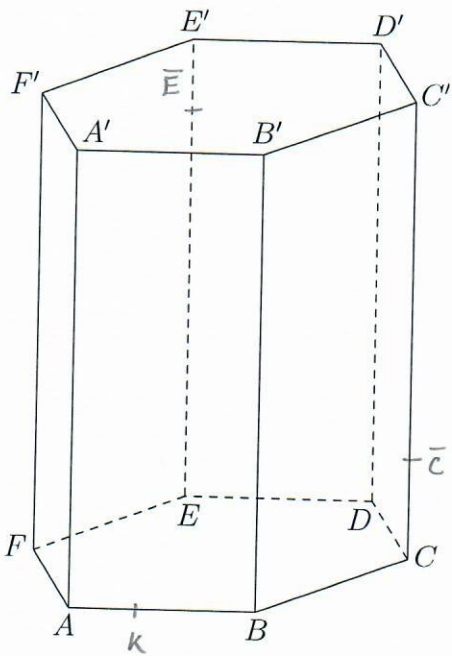


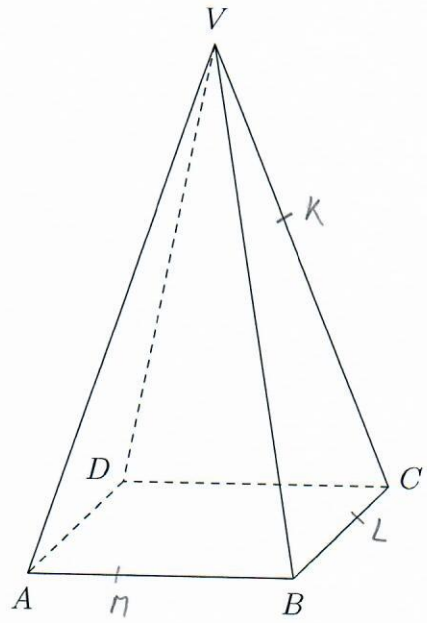
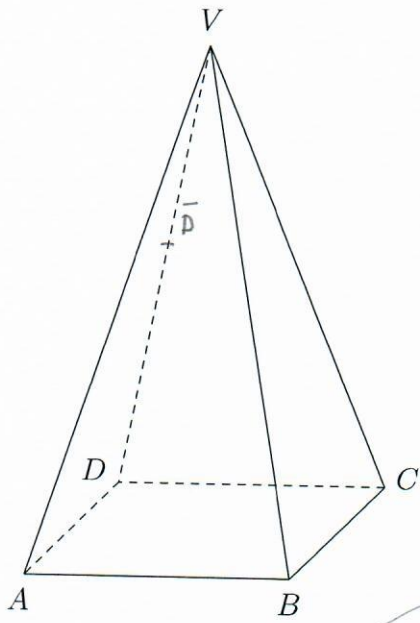


$\perp c ABC$

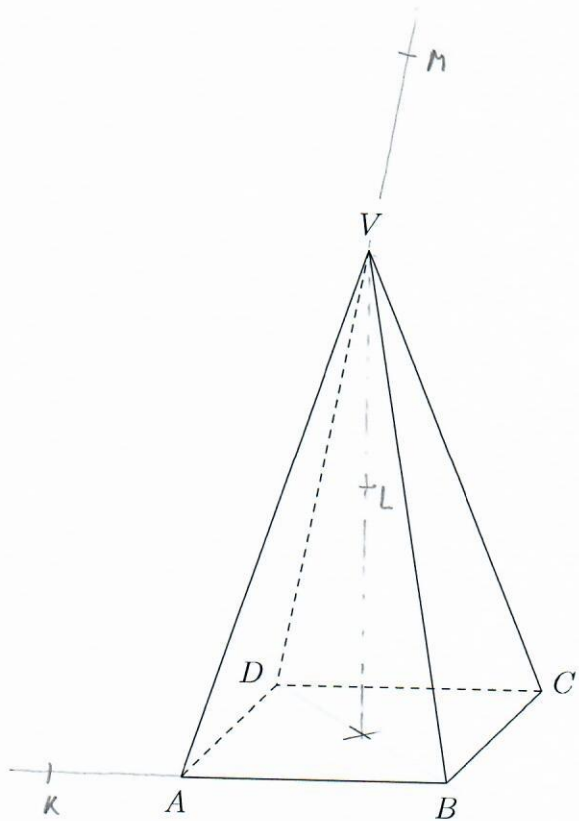
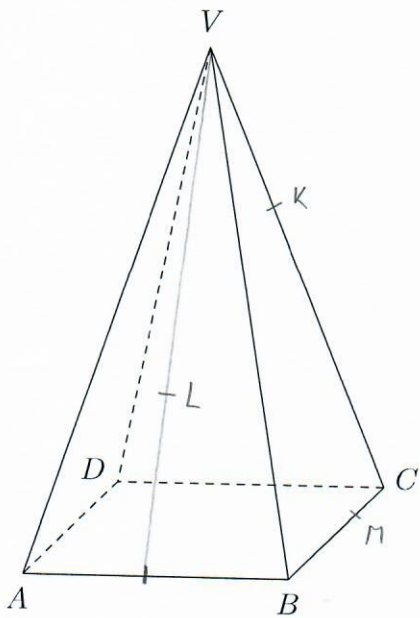


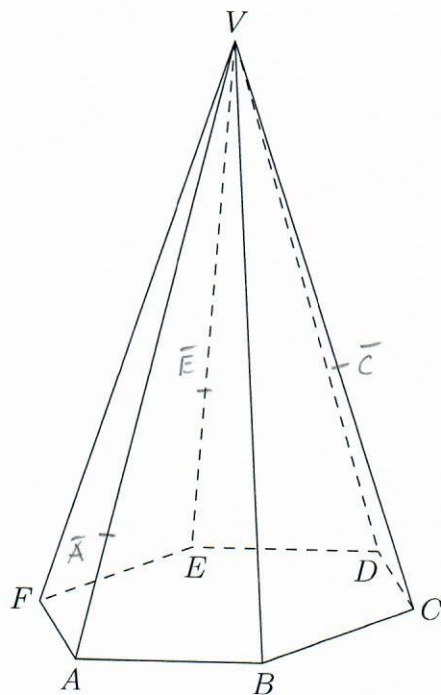
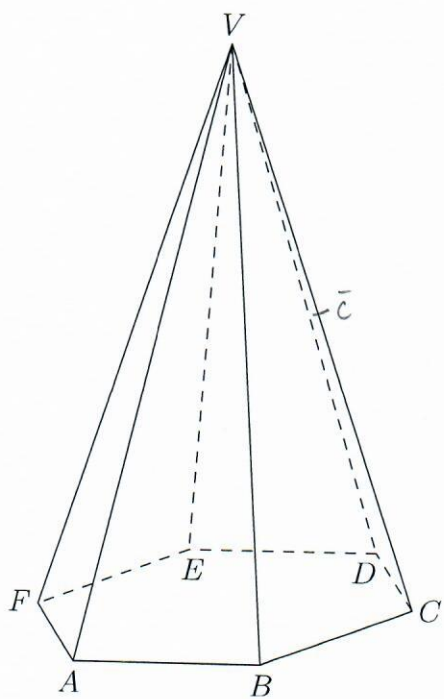
$\perp c ABC$



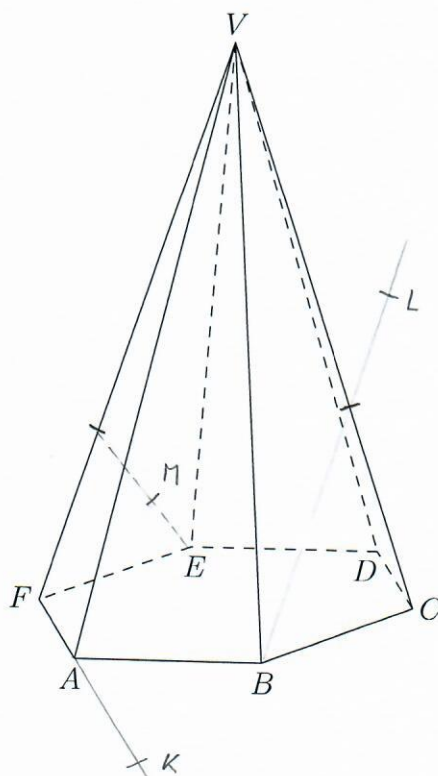
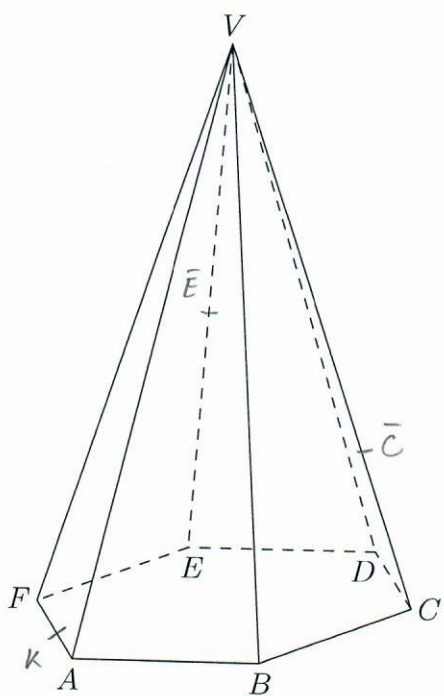


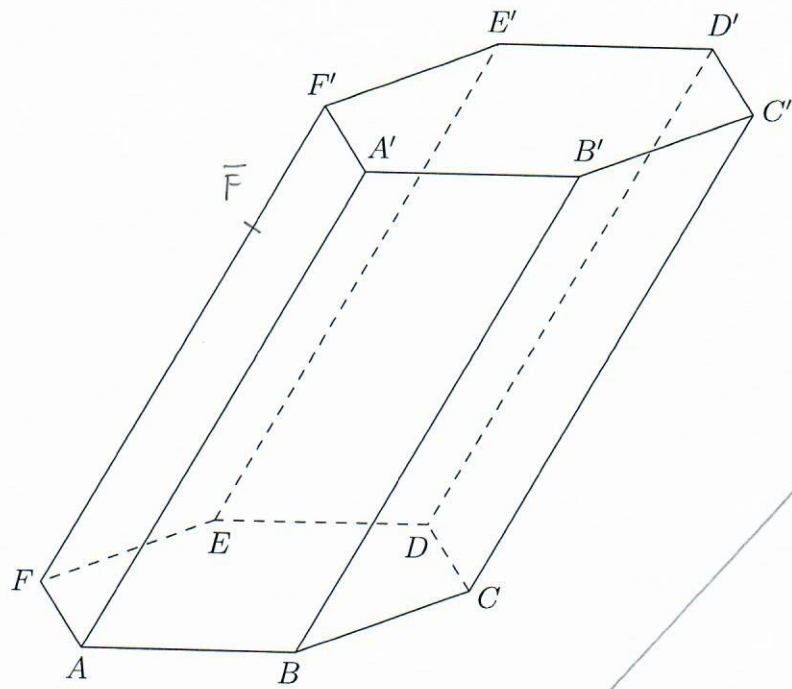
$\pi \subset ABC$





$\uparrow \in ABC$





$\uparrow \subset ABC$

