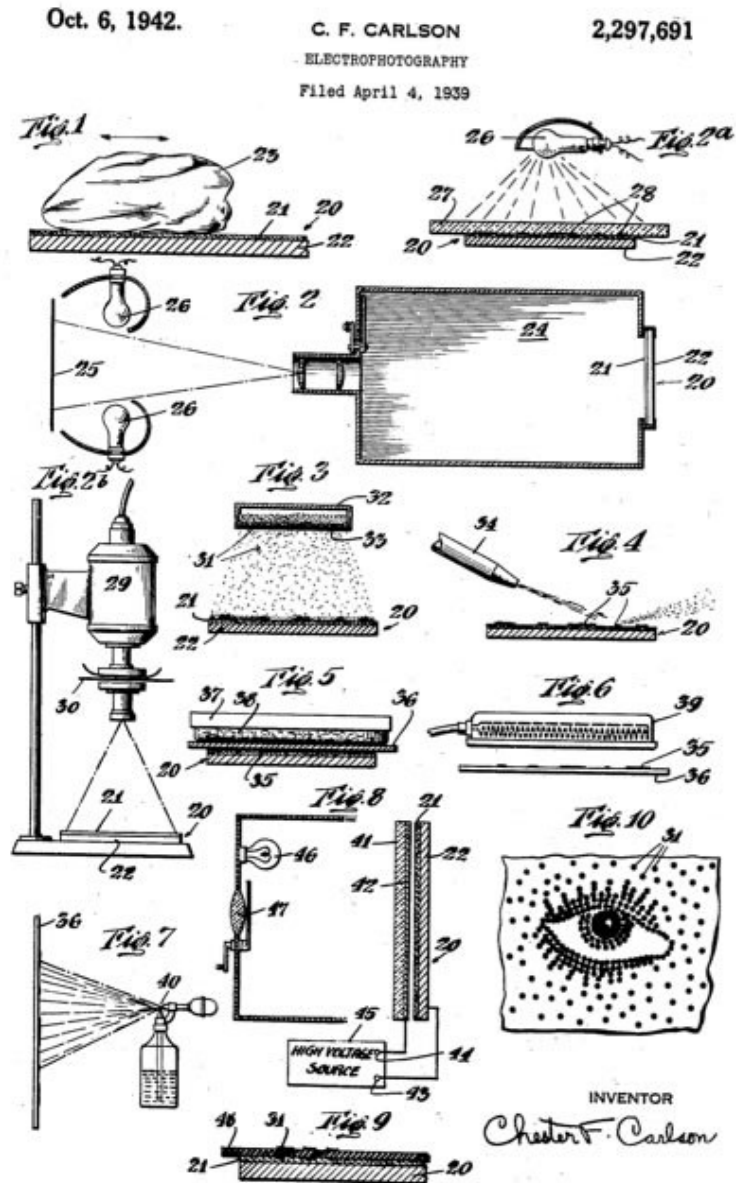


Chester Floyd Carlson



Flare

11.3 x 17

Sept. 12, 1944.

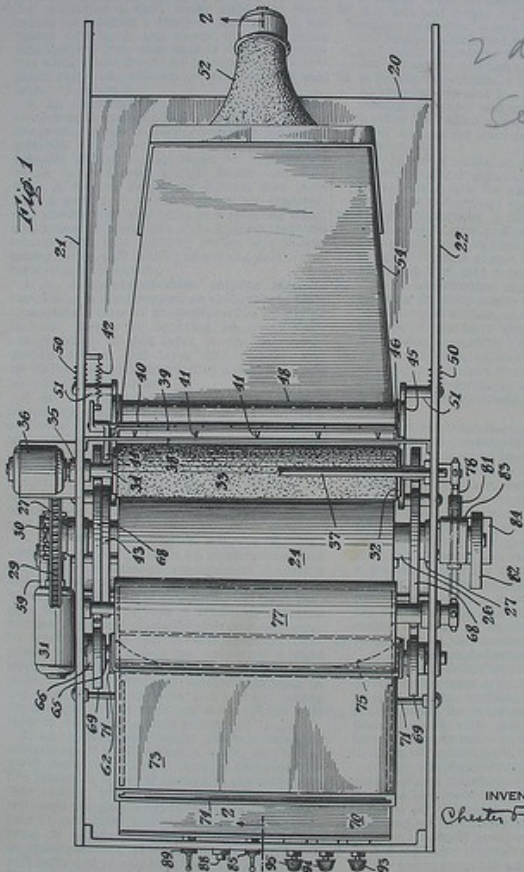
C. F. CARLSON

2,357,809

ELECTRO-PHOTOGRAPHIC APPARATUS

Filed Nov. 16, 1940

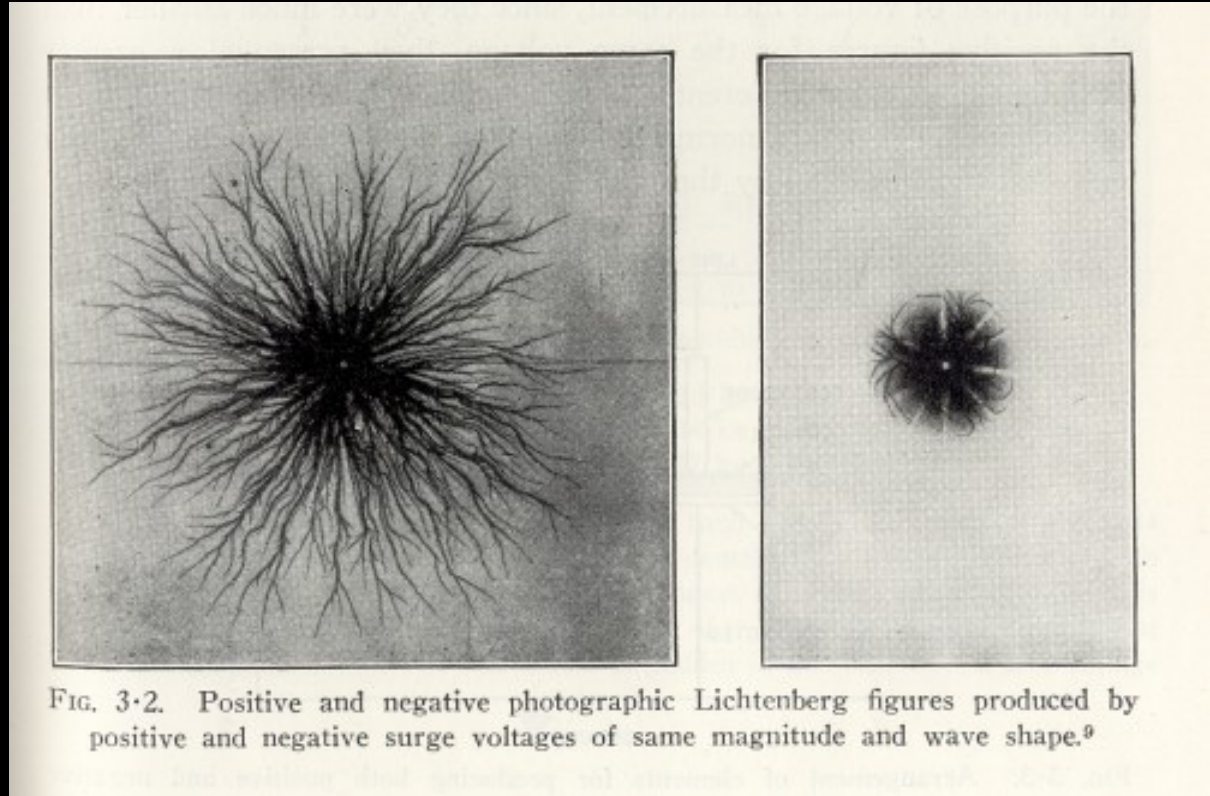
5 Sheets-Sheet 1



*2 different above
See Fig 4*

INVENTOR
Chester F. Carlson

Lichtenbergovy obrazce (1777)



Ronaldův elektrograf

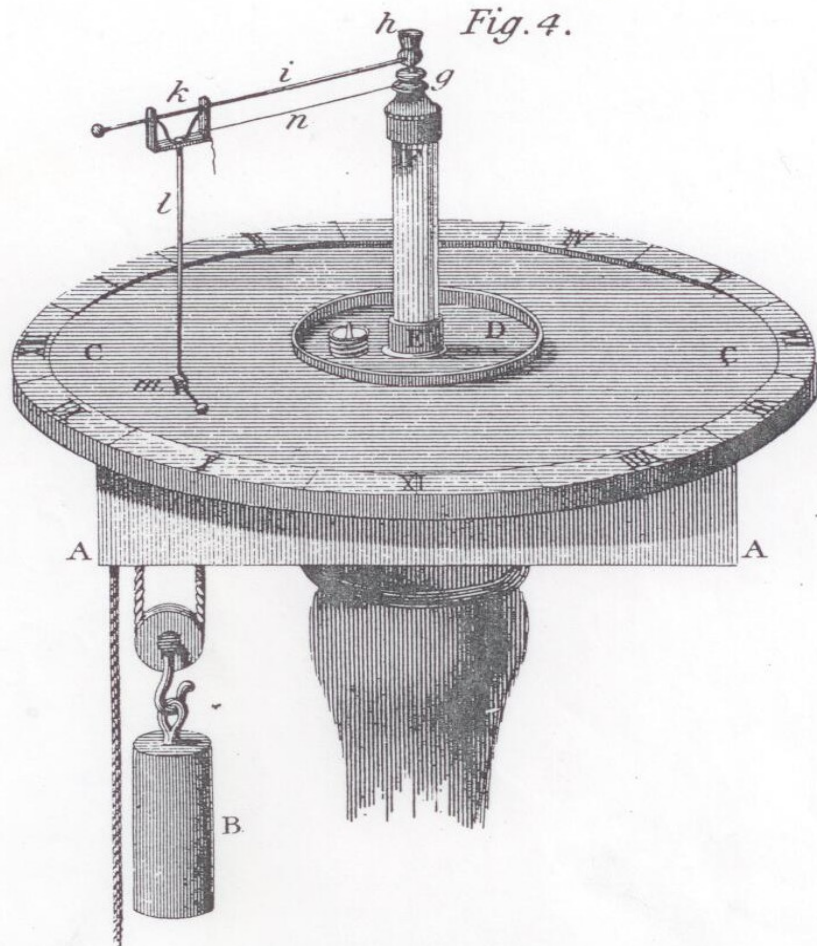
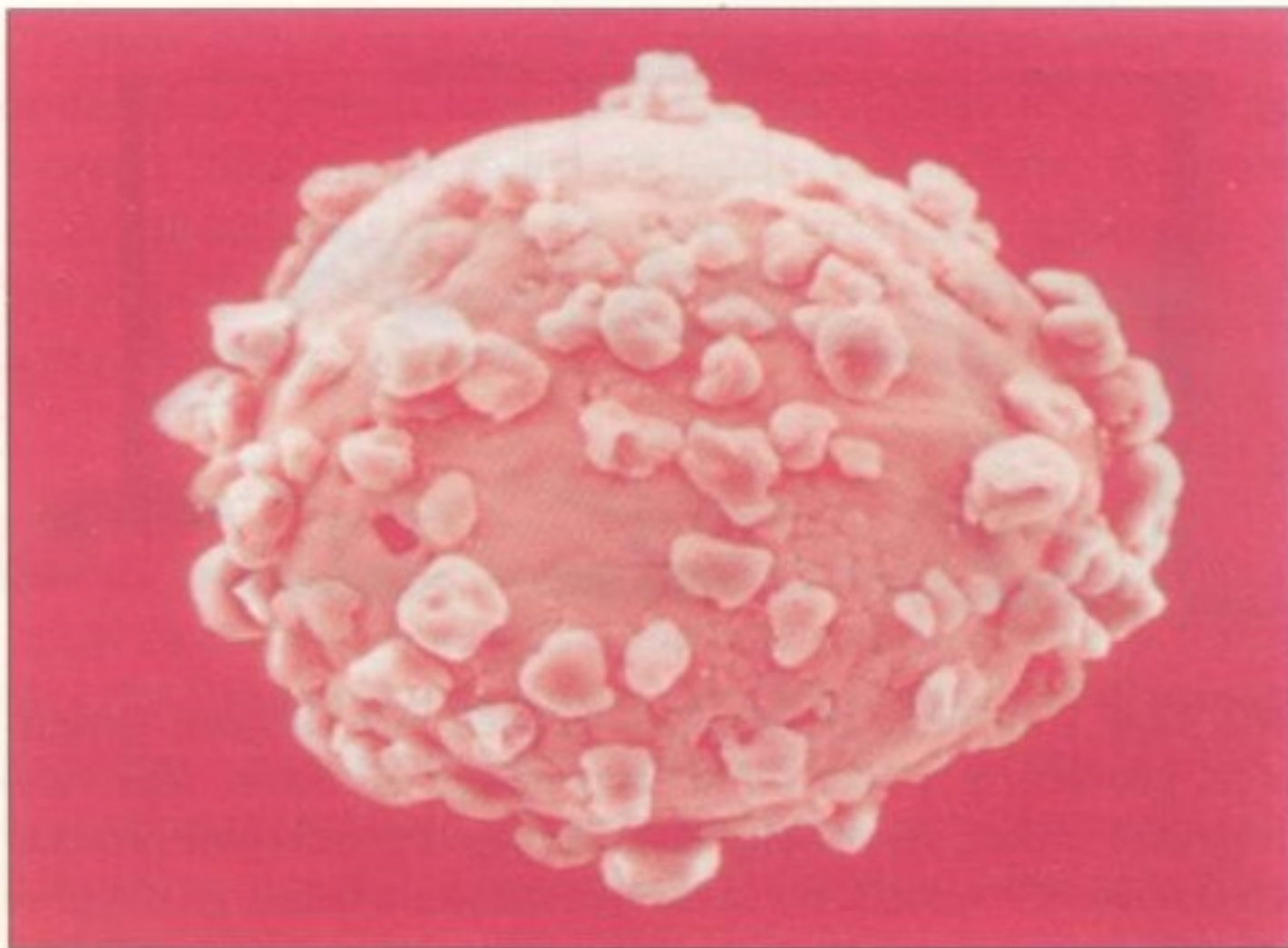


Fig. 1.2. Ronalds' Electrograph, possibly the first Electrostatic Recording Apparatus ever built. (Taken from *Encyclopaedia Britannica*, Vol. 8, 1842. Permission granted to reproduce.)

Paul Selenyi



Fig. 1.5. Selenyi's Electrographic Reproduction Image resulting from scanning with his triode in air powder development. (Reproduced from *Wireless Engineer*, June 1938, Fig. 4 of article "Application of Electrography in Television," by P. Selenyi. Permission granted to reproduce.)



Obr. 22.3 Nosná kulička v xeroxu. Je pokryta částicemi toneru, které k ní přilnou díky elektrostatickému přitahování. Průměr kuličky je asi 0,3 mm.